

WAND W1, d=20cm
C30/37/XC1, C_{nom}=3cm
M 1:50

WAND W2, d=20cm
C30/37/XC1, C_{nom}=3cm
M 1:50

Schnitt 1-1
M 1:50

WAND W3, d=20cm
C30/37/XC1, C_{nom}=3cm
M 1:50

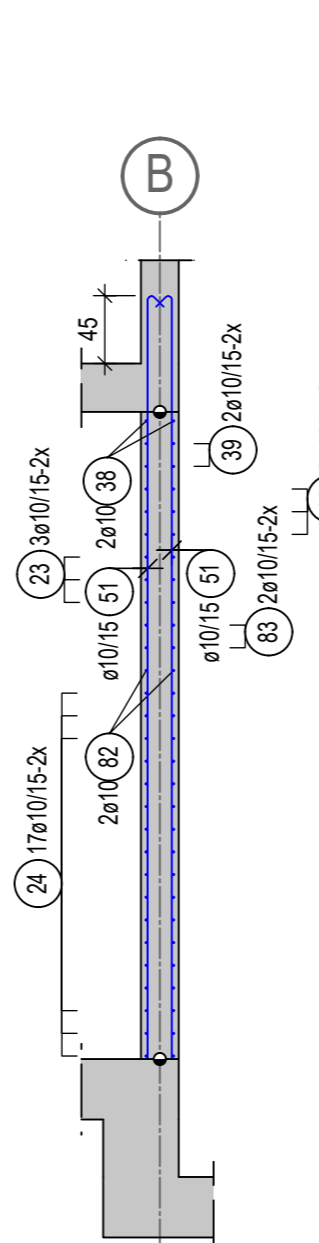
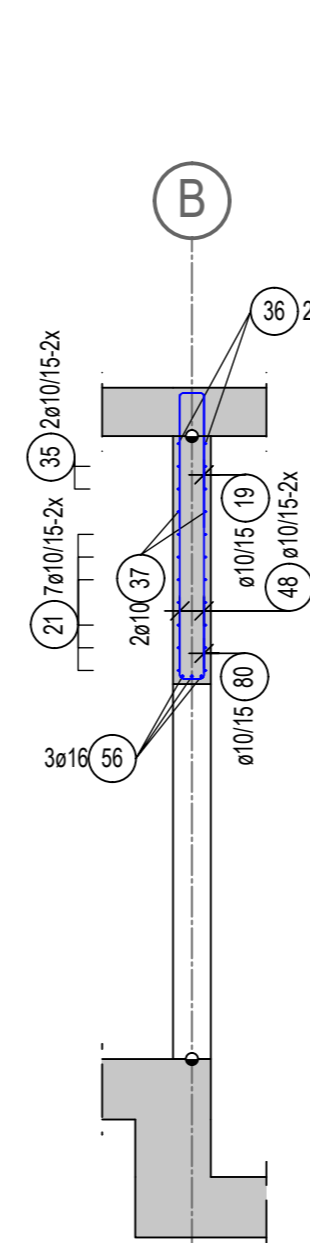
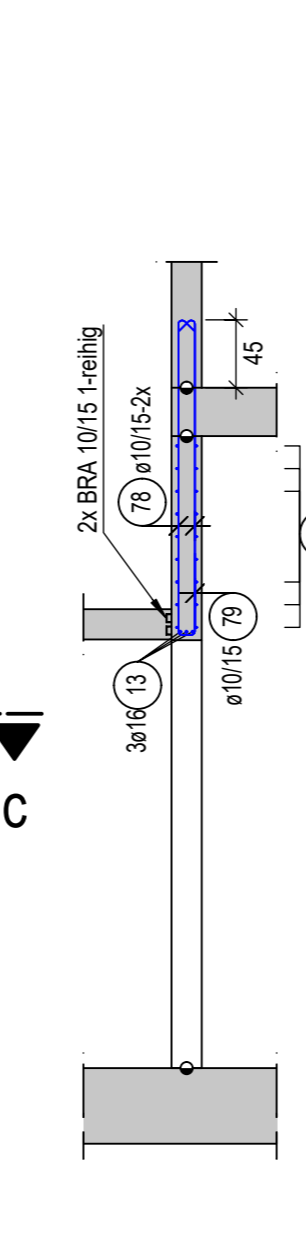
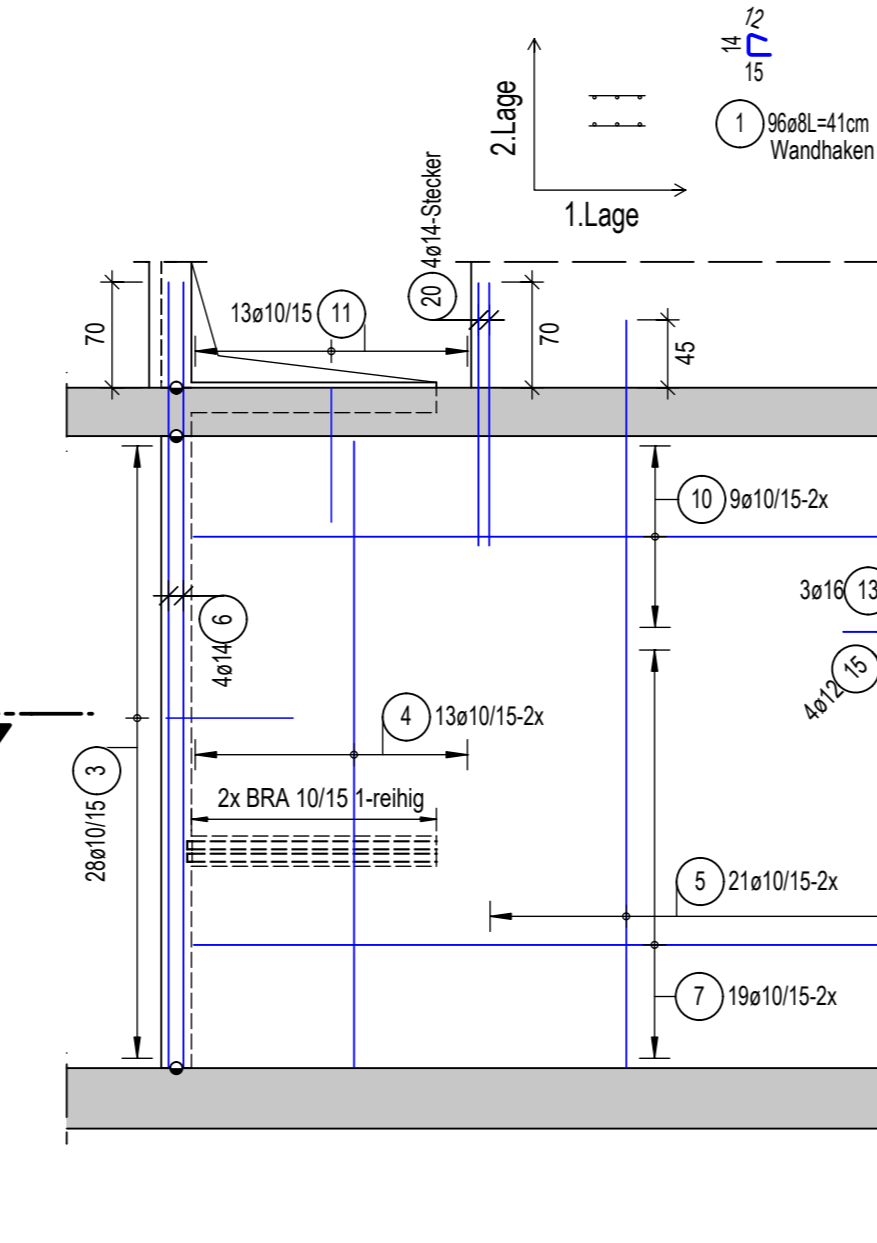
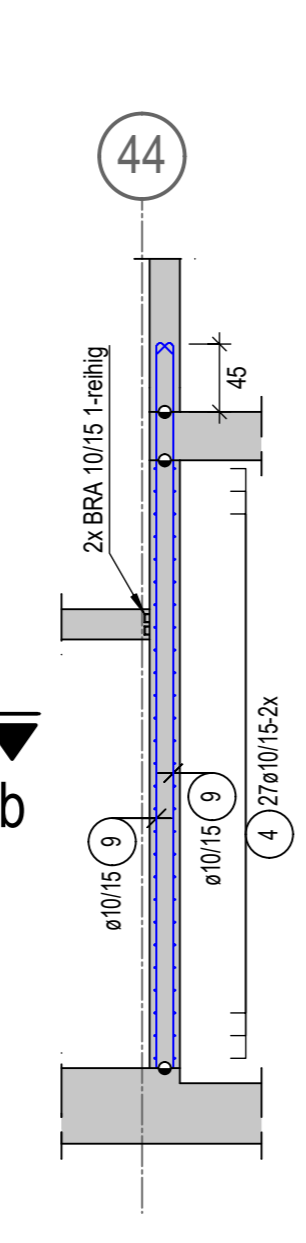
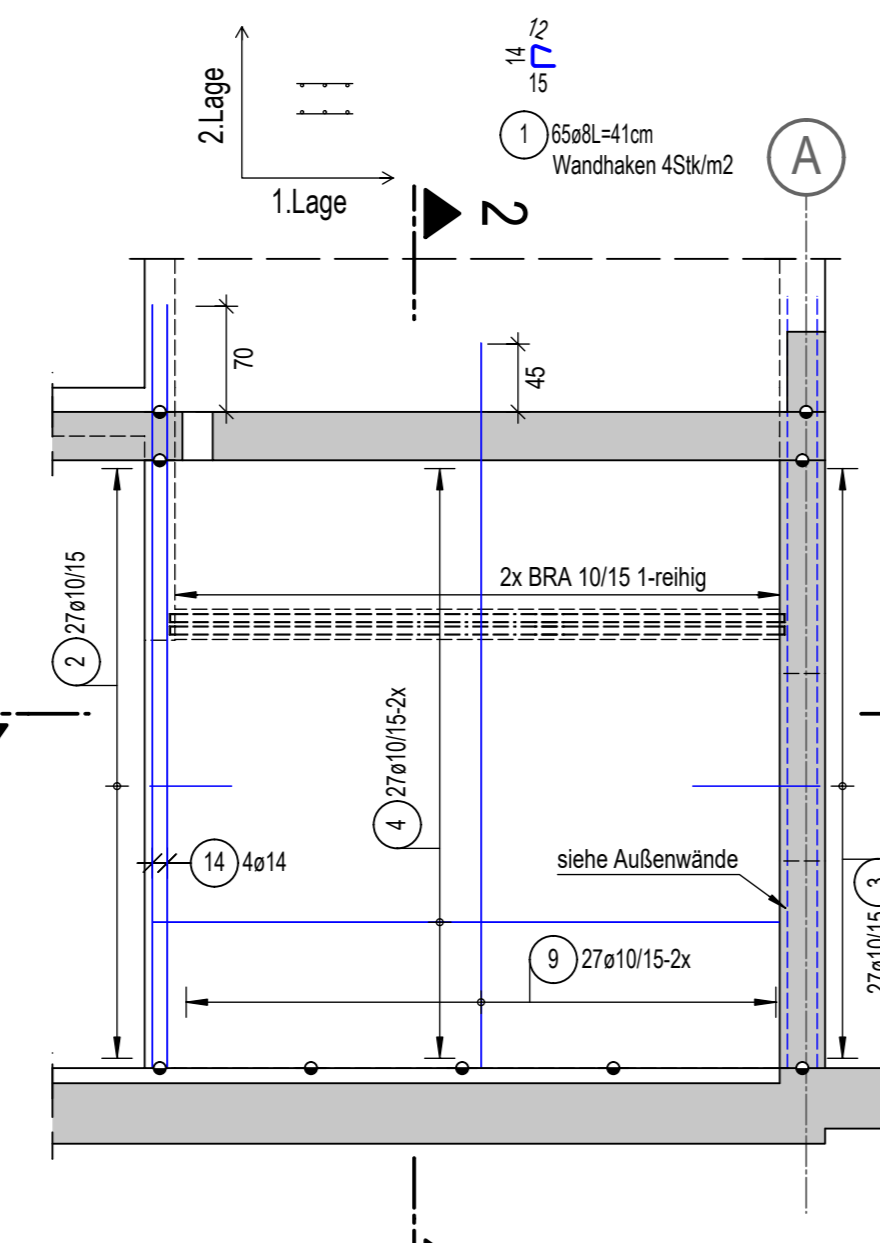
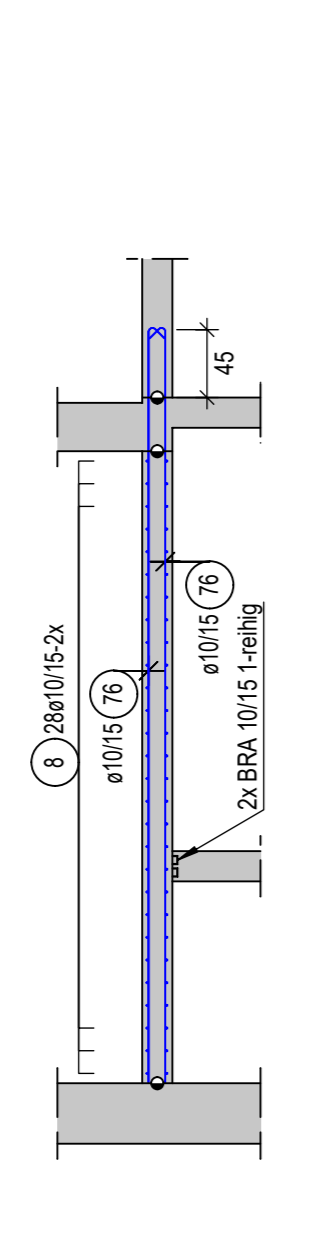
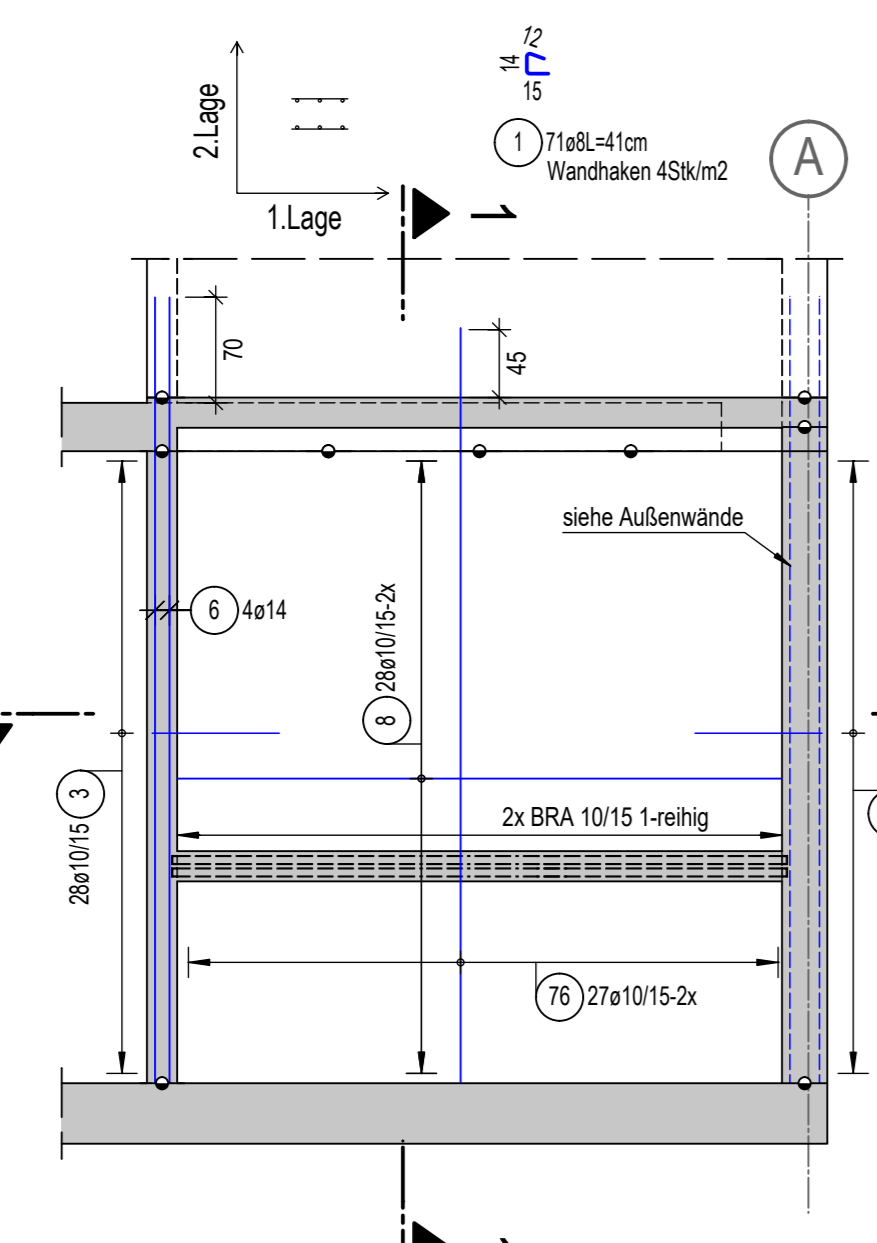
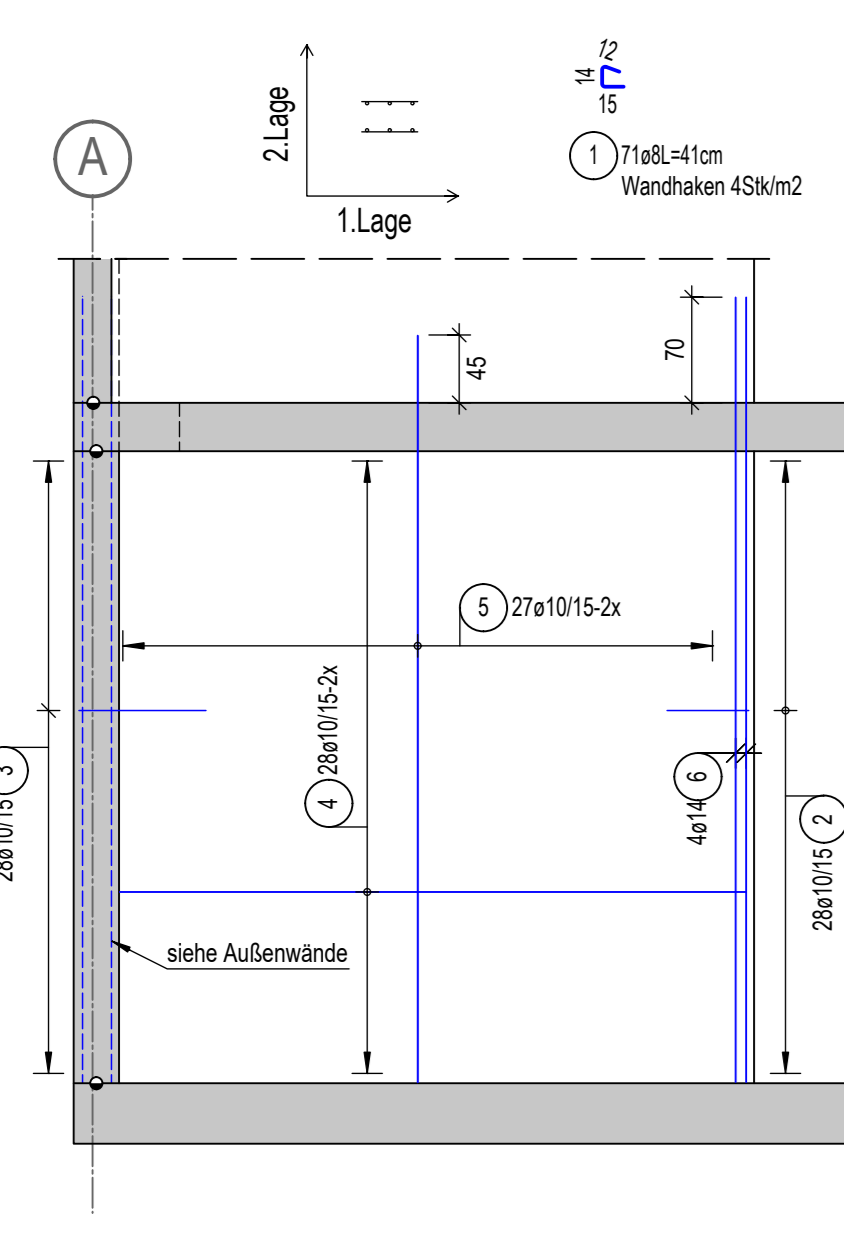
Schnitt 2-2
M 1:50

WAND W4, d=20cm
C30/37/XC1, C_{nom}=3cm
M 1:50

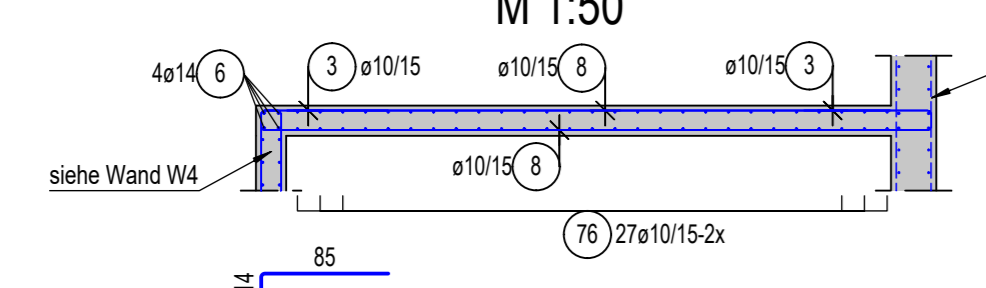
Schnitt 3-3
M 1:50

Schnitt 4-4
M 1:50

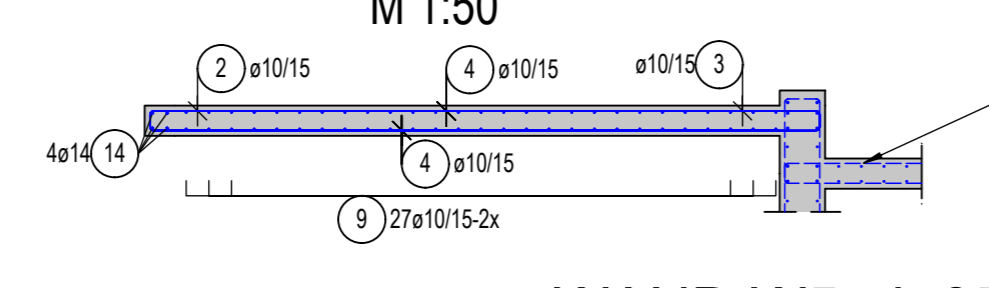
Schnitt 5-5
M 1:50



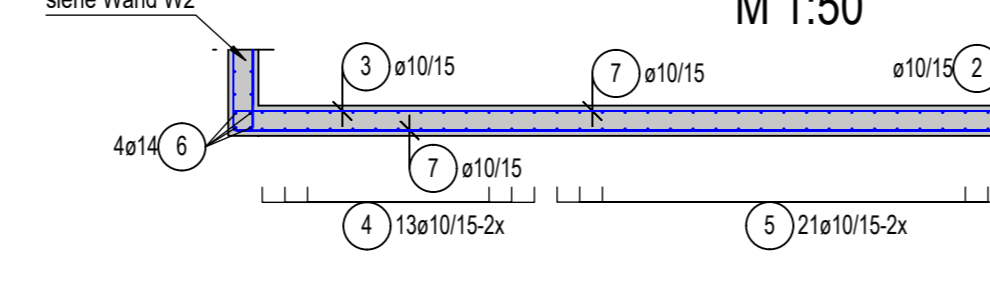
Schnitt a-a
M 1:50



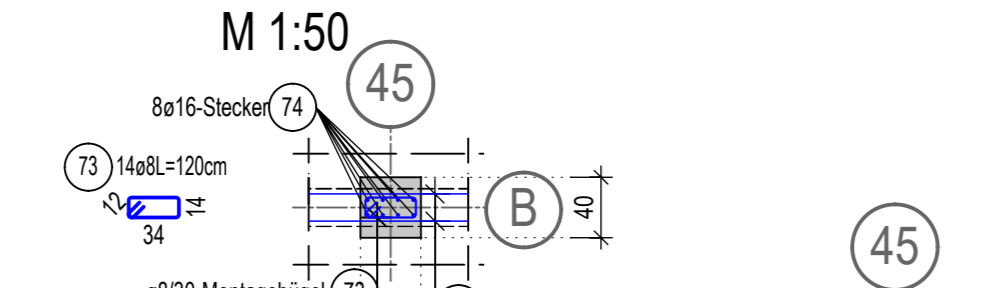
Schnitt b-b
M 1:50



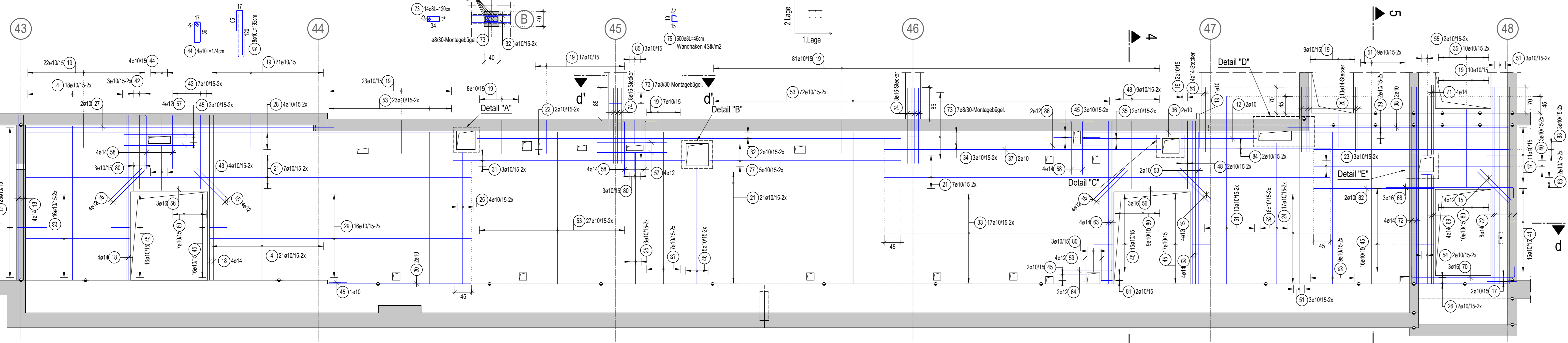
Schnitt c-c
M 1:50



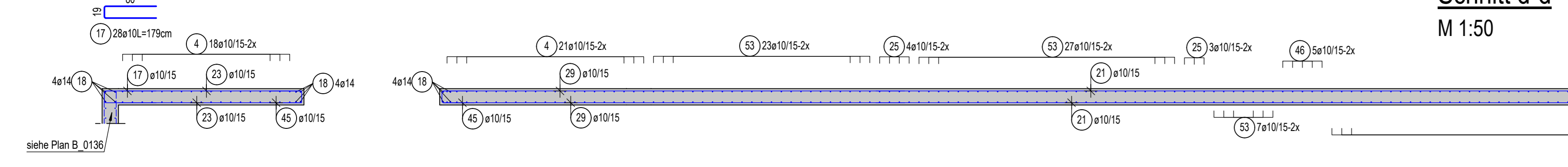
Schnitt d-d'
M 1:50



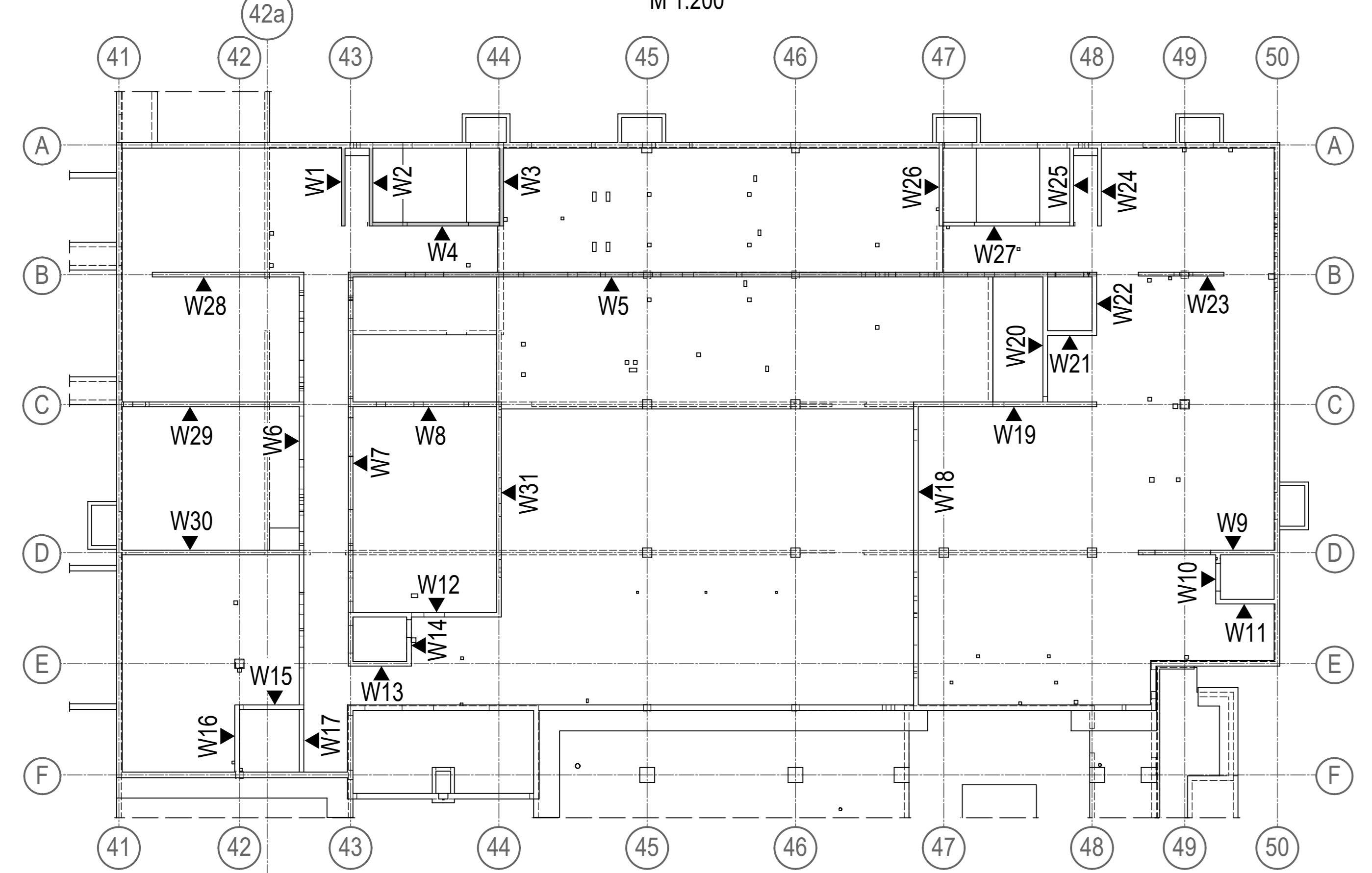
WAND W5, d=25cm
C30/37/XC1, C_{nom}=3cm
M 1:50



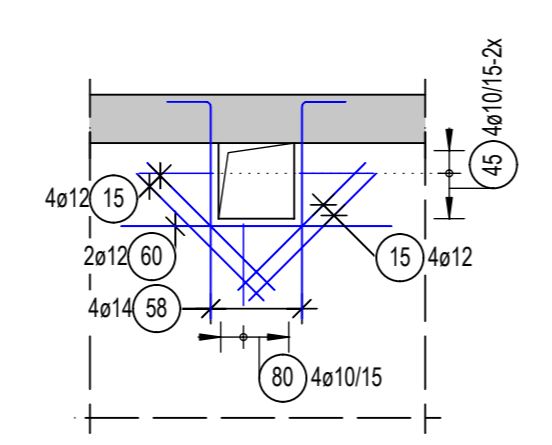
Schnitt d-d
M 1:50



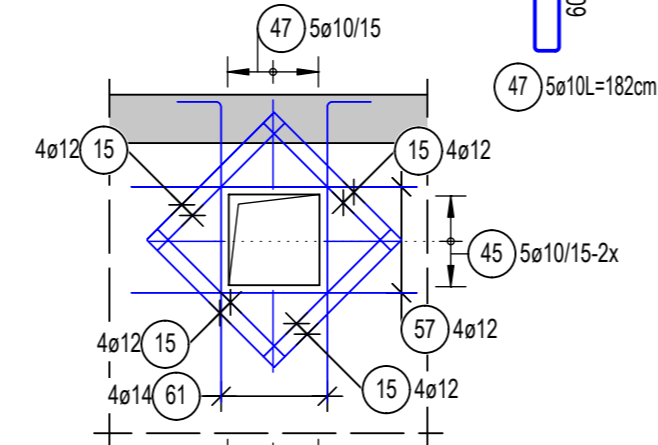
Übersicht
M 1:200



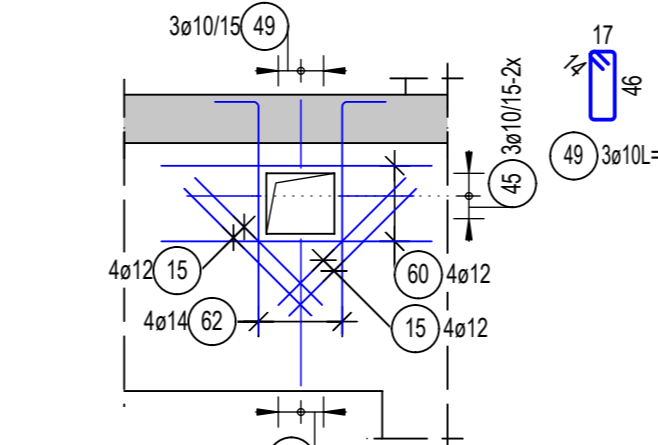
Detail "A"
M 1:50



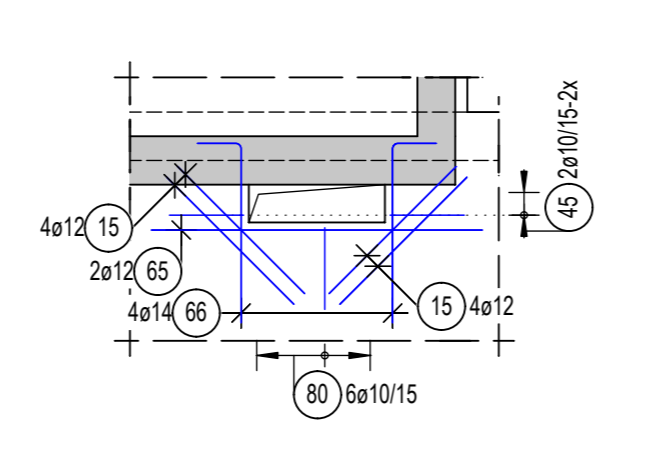
Detail "B"
M 1:50



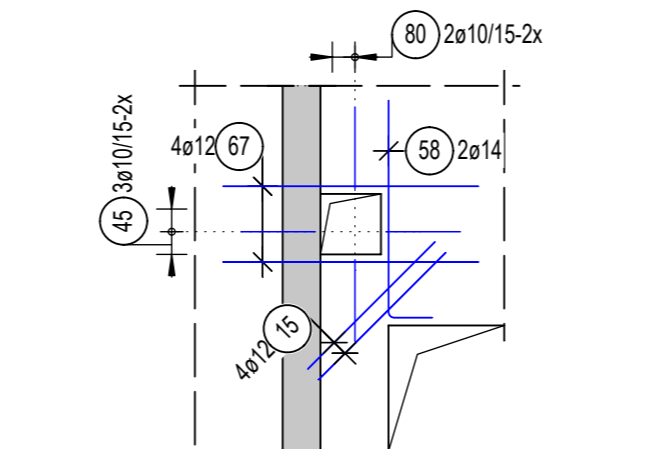
Detail "C"
M 1:50



Detail "D"
M 1:25



Detail "E"
M 1:25



Stabliste - Biegeformen

Stabliste - Biegeformen

Pos.	Stück	Ø [mm]	Einzel Länge [m]	Bemaßte Biegeform (unmaßstäblich)	Gesamt Länge [m]	Masse [kg]	Pos.	Stück	Ø [mm]	Einzel Länge [m]	Bemaßte Biegeform (unmaßstäblich)	Gesamt Länge [m]	Masse [kg]
1	318	8	0.41	[Diagram]	130.38	51.50	51	50	10	5.19	[Diagram]	259.50	160.11
2	74	10	1.24	[Diagram]	91.76	56.62	52	12	10	3.80	[Diagram]	45.60	28.14
3	148	10	1.84	[Diagram]	272.32	168.02	54	4	10	2.95	[Diagram]	11.80	7.28
4	214	10	4.15	[Diagram]	888.10	547.96	55	4	10	1.74	[Diagram]	6.96	4.29
5	96	10	5.09	[Diagram]	488.64	301.49	56	6	10	3.60	[Diagram]	21.60	34.13
6	8	14	5.20	[Diagram]	41.60	50.34	57	12	12	1.90	[Diagram]	22.80	20.25
7	38	10	5.10	[Diagram]	193.80	119.57	58	16	14	1.75	[Diagram]	31.50	38.12
8	56	10	4.00	[Diagram]	224.00	138.21	59	4	12	1.20	[Diagram]	4.80	4.26
9	54	10	4.94	[Diagram]	266.76	164.59	60	6	12	1.80	[Diagram]	10.80	9.59
10	18	10	6.85	[Diagram]	123.30	76.08	60	6	12	1.80	[Diagram]	10.80	9.59
11	13	10	1.92	[Diagram]	24.96	15.40	61	4	14	2.30	[Diagram]	9.20	11.13
12	2	10	2.05	[Diagram]	4.10	2.53	62	4	14	1.85	[Diagram]	7.40	8.95
13	3	16	3.00	[Diagram]	9.00	14.22	63	8	14	4.40	[Diagram]	35.20	42.59
14	4	14	5.05	[Diagram]	20.20	24.44	64	2	12	1.65	[Diagram]	3.30	2.93
15	68	12	1.20	[Diagram]	81.60	72.45	65	2	12	2.20	[Diagram]	4.40	3.91
16	4	14	3.60	[Diagram]	14.40	17.42	65	2	12	2.20	[Diagram]	4.40	3.91
17	41	10	1.79	[Diagram]	73.39	45.28	66	4	14	1.50	[Diagram]	6.00	7.26
18	12	14	4.45	[Diagram]	53.40	64.81	67	4	12	1.70	[Diagram]	6.80	6.04
19	201	10	1.97	[Diagram]	395.97	244.31	68	3	16	3.75	[Diagram]	11.25	17.78
20	18	14	1.75	[Diagram]	31.50	38.12	69	4	14	3.25	[Diagram]	13.00	15.73
21	70	10	12.00	[Diagram]	840.00	518.28	70	3	16	3.40	[Diagram]	10.20	16.12
22	4	10	5.55	[Diagram]	22.20	13.70	70	3	16	3.40	[Diagram]	10.20	16.12
23	38	10	2.80	[Diagram]	106.40	65.65	71	4	14	2.20	[Diagram]	8.80	10.65
24	34	10	6.50	[Diagram]	221.00	136.36	72	12	14	5.30	[Diagram]	63.60	76.96
25	14	10	3.55	[Diagram]	49.70	30.66	72	12	14	5.30	[Diagram]	63.60	76.96
26	4	10	2.60	[Diagram]	10.40	6.42	73	14	8	1.20	[Diagram]	16.80	6.64
27	2	10	8.30	[Diagram]	16.60	10.24	74	16	16	2.05	[Diagram]	32.80	51.82
28	8	10	11.55	[Diagram]	92.40	57.01	74	16	16	2.05	[Diagram]	32.80	51.82
29	32	10	7.65	[Diagram]	225.60	139.20	75	615	8	0.46	[Diagram]	282.90	111.75
30	2	10	3.85	[Diagram]	7.70	4.75	76	54	10	5.14	[Diagram]	277.56	171.25
31	6	10	6.25	[Diagram]	37.50	23.14	77	10	10	5.15	[Diagram]	51.50	31.78
32	4	10	11.40	[Diagram]	45.60	28.14	78	24	10	2.19	[Diagram]	52.56	32.43
33	34	10	6.15	[Diagram]	209.10	129.01	79	12	10	1.22	[Diagram]	14.64	9.03
34	6	10	5.65	[Diagram]	30.30	18.70	79	12	10	1.22	[Diagram]	14.64	9.03
35	24	10	2.10	[Diagram]	50.40	31.10	80	54	10	1.27	[Diagram]	68.58	42.31
36	2	10	4.65	[Diagram]	9.30	5.74	81	2	10	1.28	[Diagram]	2.56	1.58
37	2	10	7.45	[Diagram]	14.90	9.19	81	2	10	1.28	[Diagram]	2.56	1.58
38	2	10	5.95	[Diagram]	11.90	7.34	82	2	10	3.25	[Diagram]	6.50	4.01
39	4	10	5.80	[Diagram]	23.20	14.31	83	10	10	5.25	[Diagram]	52.50	32.39
40	6	10	1.95	[Diagram]	11.70	7.22	84	4	10	4.05	[Diagram]	16.20	10.00
41	16	10	1.94	[Diagram]	31.04	19.15	85	3	10	1.90	[Diagram]	5.70	3.52
42	20	10	2.00	[Diagram]	40.00	24.68	86	2	12	1.50	[Diagram]	3.00	2.66
43	8	10	1.92	[Diagram]	15.36	9.48							
44	4	10	1.74	[Diagram]	6.96	4.29							
45	127	10	1.19	[Diagram]	151.13	93.25							
46	10	10	3.15	[Diagram]	31.50	19.44							
47	5	10	1.82	[Diagram]	9.10	5.61							
48	22	10	1.85	[Diagram]	40.70	25.11							
49	3	10	1.54	[Diagram]	4.62	2.85							
50	3	10	2.58	[Diagram]	7.74	4.78							

Gesamtmasse : 5418.59